

# Longitudinal Taping Heads

## REF. TH1

*Primarily for use with single or double twist bunchers and extrusion lines*

Can be used with many types of tape: paper, melonex, polypropylene, insulating, semi-conductive, fire retardent, water resistant, bituminized, etc.

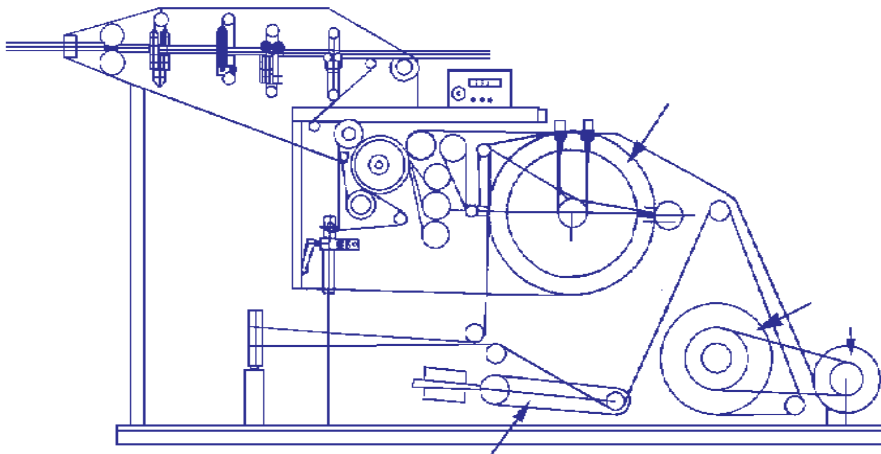
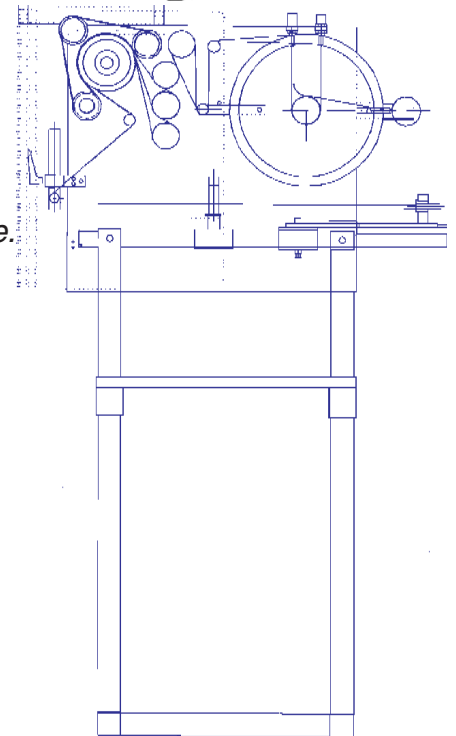
- Accommodates a 300 to 600 mm pad.
- Wires are twisted and taped in one operation.
- Run-out and tape break detection switches included on pad.
- Right or left lay adjustment.

## REF. TH2

*For traverse wound "jumbo pads" used with all types of bunchers and extrusion lines*

- Tapes all types of layed up wire.
- "Jumbo pads" allow long efficient runs without stops and joins.
- Tape passes through a tension capstan for constant tension to improve taping quality.
- Special roller path ensures true unwinding without damage to the tape.

*When inquiring, please specify all pad dimensions, plus the width and type of tape.*



**WYREPAK INDUSTRIES**

697 Middle Street, Middletown, CT 06457 USA  
 Phone: 860-632-5477 • Fax: 860-632-5775  
 e-mail: wyrepakdave@yahoo.com  
 web: wyrepakind.com

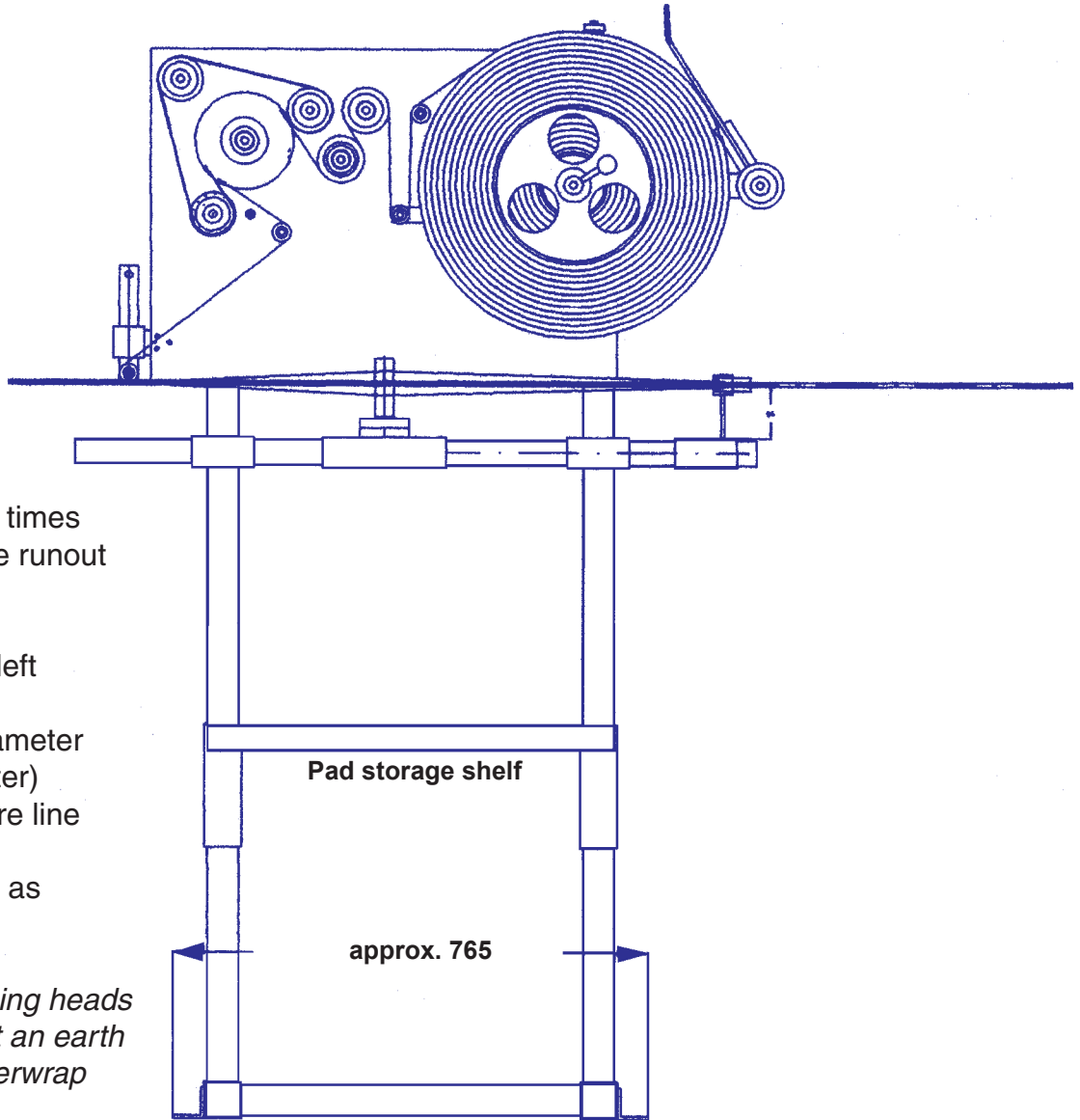
OR  
 CONTACT:

**TD**  
 ENGINEERING LTD.

e-mail: sales@td-engineering.com  
 UK Phone: +44 (0) 1509 239 832

# Longitudinal Taping on Bunchers

*Improve your productivity by "taping"  
at bunching or laying up stage*



- Constant tension at all times
- Tape break and/or tape runout
- Adjustable height and approach angles
- Left to right or right to left operation
- Pad size: 10" to 20" diameter (250 to 500mm diameter)
- 600mm to 1200mm wire line heights adjustable
- Other wire line heights as specified to order

*With two longitudinal taping heads you can screen tape, put an earth drain wire on top and overwrap with second tape*

**WYREPAK INDUSTRIES**

697 Middle Street, Middletown, CT 06457 USA  
Phone: 860-632-5477 • Fax: 860-632-5775  
e-mail: wyrepakdave@yahoo.com  
web: wyrepakind.com

OR  
CONTACT:

**TD  
ENGINEERING LTD.**

e-mail: sales@td-engineering.com  
UK Phone: +44 (0) 1509 239 832