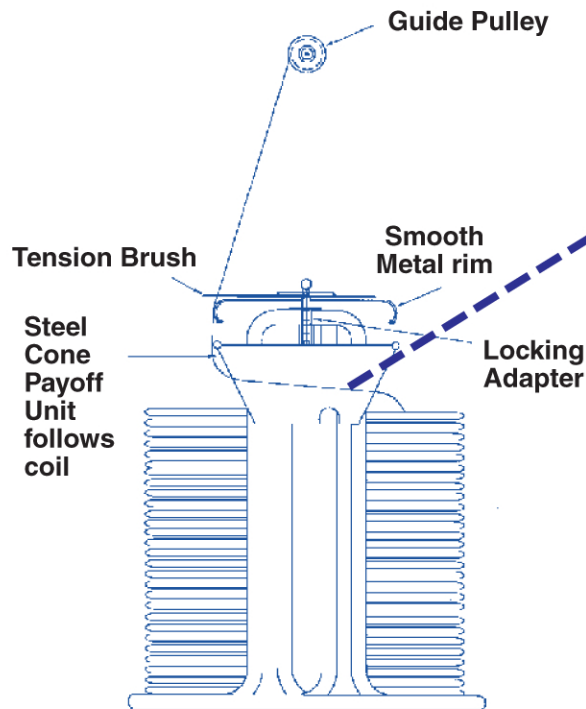


Payoff Unit for Stem Pack/Formers

Smooth payoff and steady back tension are provided by this system.



Item	Coil Size Bore	Approx. Outer Diameter	
CSR-8	400 mm 16"	700 mm 28"	Other sizes made to order
CSR-8	500 mm 20"	700 mm 28"	
CSR-10	600 mm 24"	700 mm 28"	

The main component of this unit is an inverted cone, which is placed on top of the former and the wire. This cone moves downward as the wire pays off, gently forcing the wire outwards around the contour of the cone and past a smooth ring on top. The wire is then guided through a Wyrepak (**PD-1**) cap and tension brush affixed to the top of the stem pack/former.

A "snagger" switch can be included as an option to signal the unwinding system to stop should a tangle or snag occur, although this is not normally necessary.

- The slots positioned in the inverted cone allow the cone to protrude inside the stem pack/former, insuring a smooth conical surface is presented to the material being paid off at all times.
- The unit can be used on all continuous pull processes, and is considered essential in pull and cut situations.

This unit will pay off:

- Stranded copper or bunched copper wire up to 6 mm o/d (.25") max.
- Solid single copper wire up to 5 mm o/d (0.2") max.
- Solid single steel wires, low and high carbon up to 4 mm o/d (0.16") max.
- Flexible plastic insulated copper wire up to 12 mm o/d (.50") max.
- Plastic coated steel wire up to 5 mm o/d (0.2") max.
- Other material can be accommodated.
- Standard units are available for 16" and 20" stem packs with 4 or 6 tubes.
- Continuous operating speeds up to 600 ft/min (200 mm); consult technical department if higher speeds are required.
- For pull and cut processes, speeds up to 600 ft/min (200 mm) are normal.

WYREPAK INDUSTRIES

68 Buttonwood St., Bristol, RI 02809 USA
 Phone: 401-253-5500 • Fax: 401-253-7350
 e-mail: hfancher@wyrepak.com
 web: wyrepakind.com