

Longitudinal Taping Heads

REF. TH1

Primarily for use with single or double twist bunchers and extrusion lines

Can be used with many types of tape: paper, melonex, polypropylene, insulating, semi-conductive, fire retardent, water resistant, bituminized, etc.

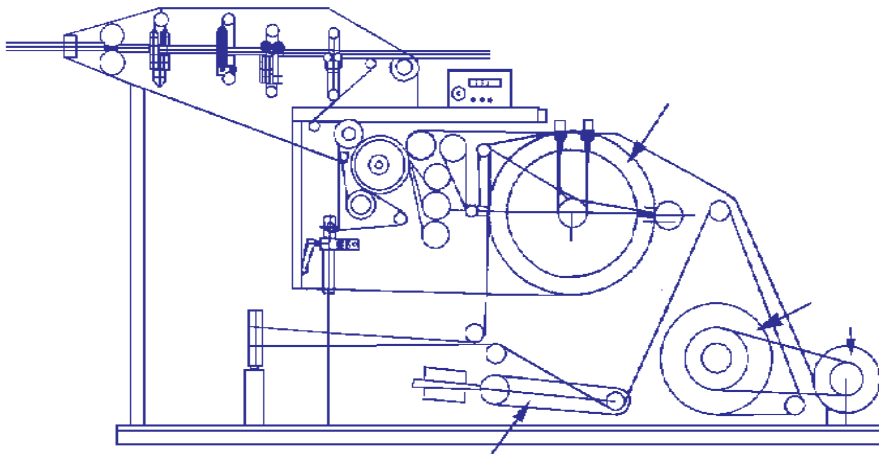
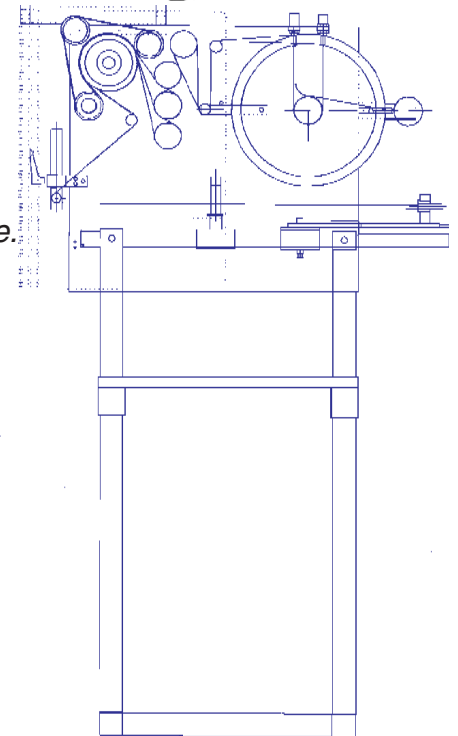
- Accommodates a 300 to 600 mm pad.
- Wires are twisted and taped in one operation.
- Run-out and tape break detection switches included on pad.
- Right or left lay adjustment.

REF. TH2

For traverse wound "jumbo pads" used with all types of bunchers and extrusion lines

- Tapes all types of layed up wire.
- "Jumbo pads" allow long efficient runs without stops and joins.
- Tape passes through a tension capstan for constant tension to improve taping quality.
- Special roller path ensures true unwinding without damage to the tape.

When inquiring, please specify all pad dimensions, plus the width and type of tape.



WYREPAK INDUSTRIES

697 Middle Street, Middletown, CT 06457 USA
 Phone: 860-632-5477 • Fax: 860-632-5775
 e-mail: wyrepakdave@yahoo.com
 web: wyrepakind.com

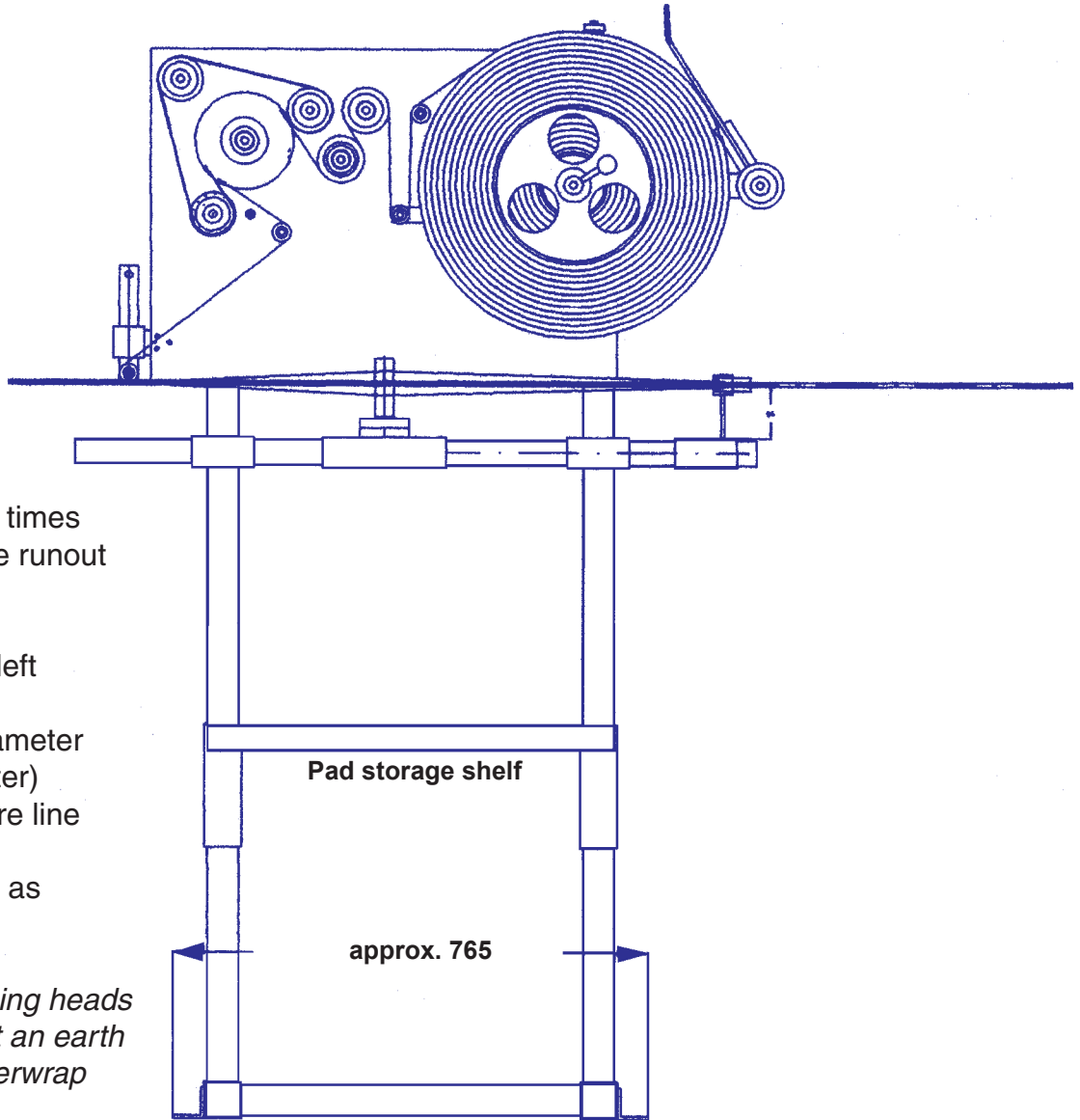
OR
 CONTACT:

TD
 ENGINEERING LTD.

e-mail: sales@td-engineering.com
 UK Phone: +44 (0) 1509 239 832

Longitudinal Taping on Bunchers

*Improve your productivity by "taping"
at bunching or laying up stage*



- Constant tension at all times
- Tape break and/or tape runout
- Adjustable height and approach angles
- Left to right or right to left operation
- Pad size: 10" to 20" diameter (250 to 500mm diameter)
- 600mm to 1200mm wire line heights adjustable
- Other wire line heights as specified to order

With two longitudinal taping heads you can screen tape, put an earth drain wire on top and overwrap with second tape