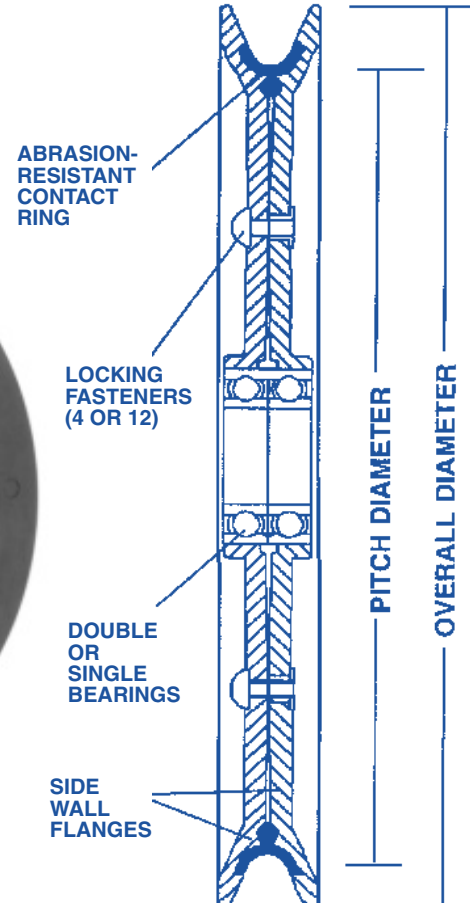


# Pulleys

## REINFORCED PLASTIC GUIDE PULLEYS

*These highly durable reinforced pulleys with their replaceable contact rings are ideal for guiding or redirecting all types of wire.*

*Flanges are bolted together, so individual parts can be replaced when worn or damaged. Single or double bearings. The replaceable contact ring is available in hardened rubber, tungsten carbide coated steel or ceramic coated steel. The nitrile (rubber) has high abrasive resistance and reduces vibration.*



Item	Pitch Diam	Overall Diam.	Approx. Weight (with single bearing)	Flange Width	Bore	Contact Ring Radius
WP 2.5	64 mm	89 mm	0.09 kg	18 mm	(A)	0.8 mm
WP 4.0	102 mm	127 mm	0.13 kg	18 mm	(B)	0.8 mm
WP 6F	152 mm	178 mm	0.18 kg	18 mm	(B)	0.8 mm
WP 6W	152 mm	178 mm	0.50 kg	33.5 mm	(C)	6.4 mm
WP 8.0	203 mm	241 mm	0.73 kg	33.5 mm	(C)	6.4 mm
WP 12.0	305 mm	343 mm	0.82 kg	33.5 mm	(C)	6.4 mm
WP 16.0	406 mm	445 mm	3.18 kg	33.5 mm	(C)	6.4 mm

(A) 3/8" and 1/2" single only (B) 3/8", 1/2" and 15 mm double row (C) 7/8", 3/4", 1" and 30 mm double or single.



697 Middle Street, Middletown, CT 06457 USA  
 Phone: 860-632-5477 • Fax: 860-632-5775  
 e-mail: wyrepakdave@yahoo.com  
 web: wyrepakind.com

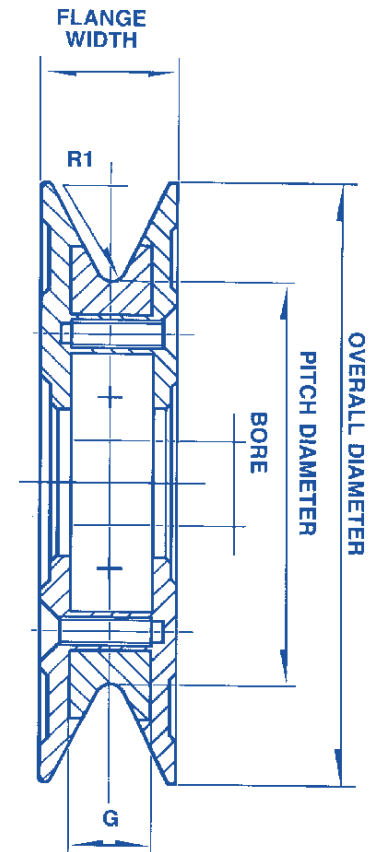
OR CONTACT:



e-mail: sales@td-engineering.com  
 UK Phone:+44 (0) 1509 239 832

## SMALL PULLEYS (LYNX)

*These “No-Torque” small pulleys consist of a ceramic contact ring mounted on tough, reinforced plastic flanges. Each pulley comes with a single bearing*



Item	Pitch Diam	Overall Diam.	Approximate Weight	Flange Width	Bore	Bearing Width	Contact Ring Radius (R1)
UA 1001	15.0 mm	20.0 mm	2.2 gr	4.5 mm	3.0 mm	2.0 mm	1.0 mm
UA 1002	20.0 mm	30.0 mm	6.5 gr	6.5 mm	4.0 mm	3.0 mm	1.0 mm
UA 1003	15.0 mm	30.0 mm	6.0 gr	10.0 mm	3.0 mm	2.0 mm	1.0 mm
UA 1004	20.0 mm	40.0 mm	10.0 gr	14.5 mm	4.0 mm	3.0 mm	1.0 mm
UA 1005	30.0 mm	46.5 mm	23.0 gr	10.2 mm	6.0 mm	6.0 mm	1.25 mm
UA 1006	40.0 mm	60.0 mm	33.0 gr	13.5 mm	8.0 mm	7.0 mm	1.5 mm
UA 1007	29.5 mm	60.5 mm	35.0 gr	20.0 mm	6.0 mm	5.5 mm	1.0 mm
UA 1008	50.0 mm	80.0 mm	96.0 gr	16.5 mm	10.0 mm	9.0 mm	2.0 mm
UA 1009	39.5 mm	80.0 mm	60.0 gr	25.0 mm	8.0 mm	8.0 mm	1.0 mm
UA 1010	50.0 mm	100.0 mm	110.0 gr	29.0 mm	10.0 mm	9.0 mm	2.0 mm



697 Middle Street, Middletown, CT 06457 USA  
 Phone: 860-632-5477 • Fax: 860-632-5775  
 e-mail: wyrepakdave@yahoo.com  
 web: wyrepakind.com

OR CONTACT:



e-mail: sales@td-engineering.com  
 UK Phone: +44 (0) 1509 239 832